

FIRECHIEF 9V BATTERY SMOKE DETECTOR

FIRECHIEF[®]
making the world a safer place

MODEL:
FBSD1

Features

- Test button verifies battery and alarm operation
- Low battery indicator
- 3 Year warranty
- Fully certified to EN14604
- Supplied complete with battery
- Dimensions Ø100mm x 36.7mm
- Photo-electric detection method
- Sound output 85 dB @ 3 metres



FBSD1
117-1098



**Fire and Safety
Centre**

Available From:

Fire and Safety Centre
15 Atkinsons Way, Foxhills Industrial Estate
Scunthorpe, North Lincolnshire, DN15 8QJ
Tel: 01724 281044 **Web:** www.fireandsafetycentre.co.uk
Email: sales@fireandsafetycentre.co.uk

FIRECHIEF 9V BATTERY SMOKE DETECTOR

FIRECHIEF®
making the world a safer place

This smoke detector, can send out sound and light alarm signal in the early stage of a fire if properly installed and maintained, in that case it will have extra time to control the fire or to evacuate at once. The product is designed for household or similar residential application use.

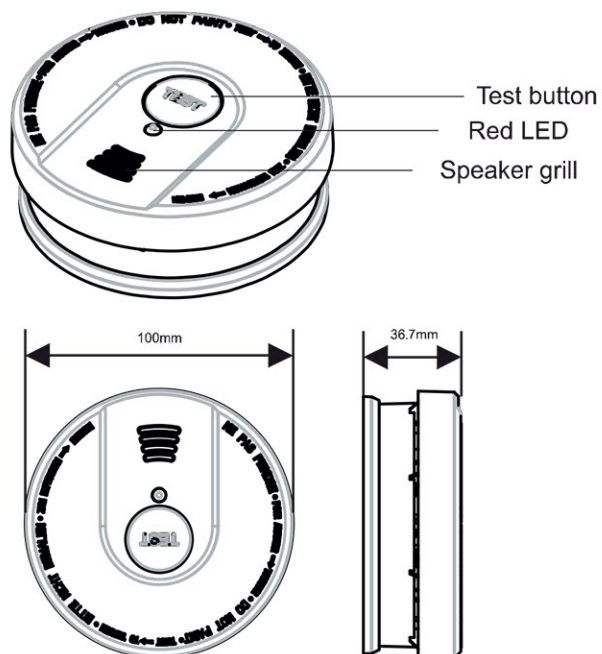
**MODEL:
FBSD1**



FBSD1
117-1098

Specifications

Model	FBSD1
Product Code	117-1098
Standard	EN 14604:2005/AC:2008
Voltage	DC 9V
Standby current	<10uA
Alarm current	<30mA
Sensor type	Photoelectric
Temperature	0°C - +40°C
Ambient humidity	<95%R.H
Alarm indication	Red LED & Buzzer
Sound pressure	>85dB (around 3m)
N.W.	89g (not inclu. battery)
Dimensions	Φ100* 36.7mm
Installation Way	Ceiling mounting



**Fire and Safety
Centre**

Available From:

Fire and Safety Centre
15 Atkinsons Way, Foxhills Industrial Estate
Scunthorpe, North Lincolnshire, DN15 8QJ
Tel: 01724 281044 **Web:** www.fireandsafetycentre.co.uk
Email: sales@fireandsafetycentre.co.uk